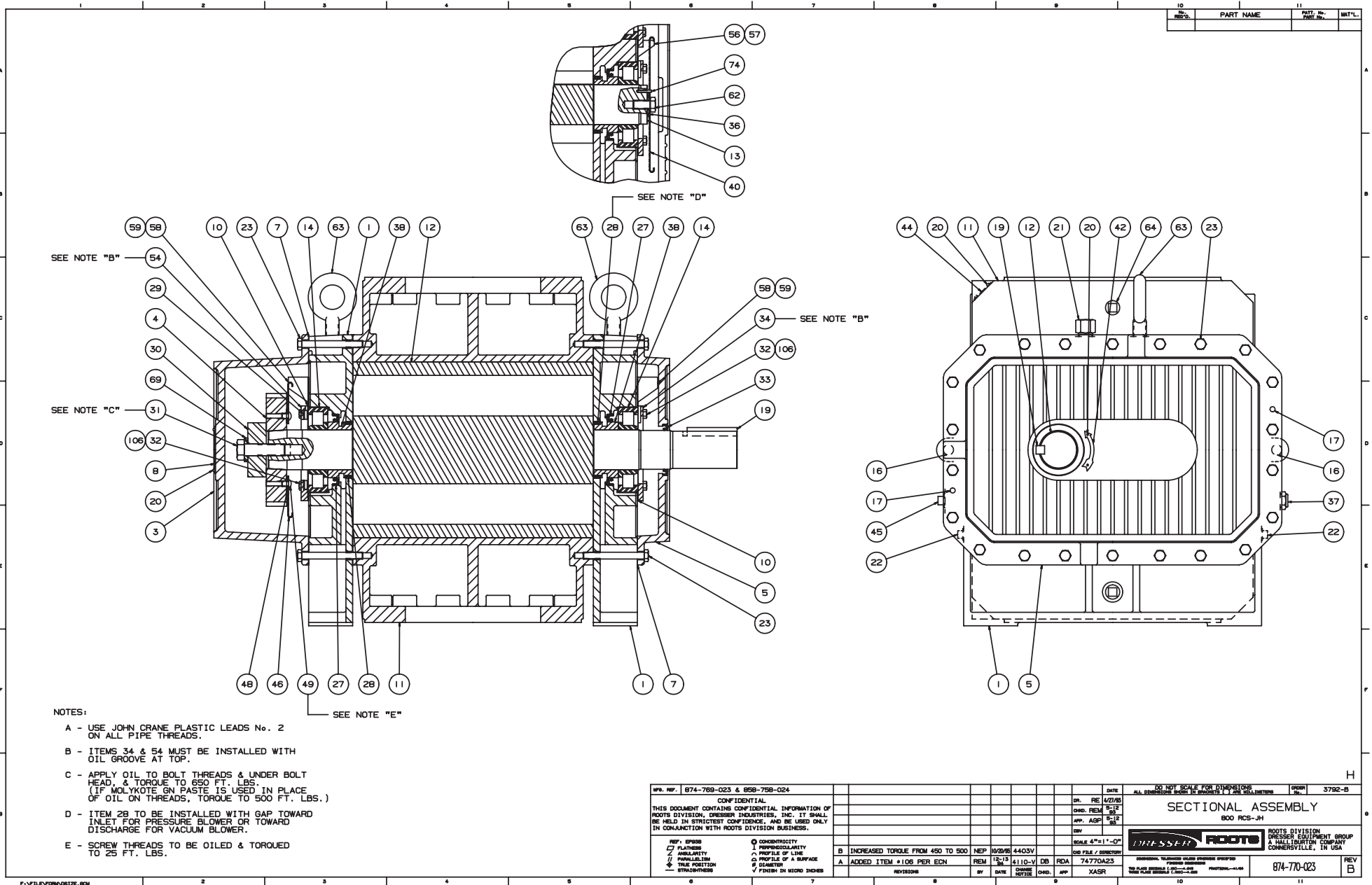


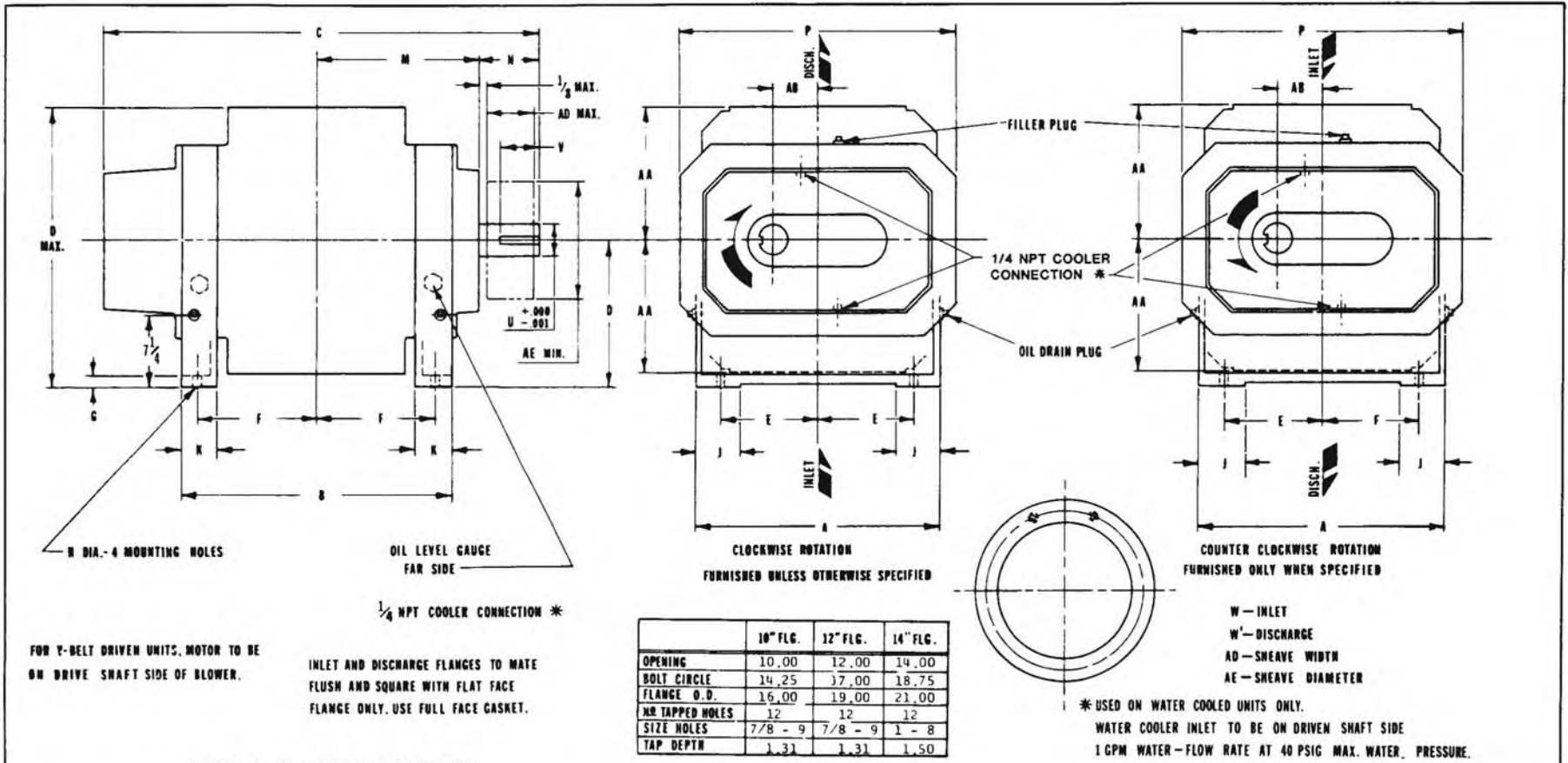
Figure 6 - Assembly of RCS-J WHISPAIR Vertical Style Blowers



- NOTES:
- A - USE JOHN CRANE PLASTIC LEADS No. 2 ON ALL PIPE THREADS.
 - B - ITEMS 34 & 54 MUST BE INSTALLED WITH OIL GROOVE AT TOP.
 - C - APPLY OIL TO BOLT THREADS & UNDER BOLT HEAD, & TORQUE TO 650 FT. LBS. (IF MOLYKOTE GN PASTE IS USED IN PLACE OF OIL ON THREADS, TORQUE TO 500 FT. LBS.)
 - D - ITEM 28 TO BE INSTALLED WITH GAP TOWARD INLET FOR PRESSURE BLOWER OR TOWARD DISCHARGE FOR VACUUM BLOWER.
 - E - SCREW THREADS TO BE OILED & TORQUED TO 25 FT. LBS.

W.P. REF. 874-769-023 & 858-758-024		DATE		DO NOT SCALE FOR DIMENSIONS		OWNER	
CONFIDENTIAL		DR. RE 4/21/85		ALL DIMENSIONS UNLESS OTHERWISE SPECIFIED		3792-B	
THIS DOCUMENT CONTAINS CONFIDENTIAL INFORMATION OF ROOTS DIVISION, DRESSER INDUSTRIES, INC. IT SHALL BE HELD IN STRICTEST CONFIDENCE, AND BE USED ONLY IN CONNECTION WITH ROOTS DIVISION BUSINESS.		DMD. REM. SCLF		SECTIONAL ASSEMBLY		ROOTS DIVISION	
		APP. AGR. SCLF		800 RCS-JH		DRESSER EQUIPMENT GROUP	
		D.V.		SCALE 4" = 1'-0"		A HALLIBURTON COMPANY	
		REV. B		CONTRACT NO. 74-770A23		CONNERVILLE, IN USA	
		REV. A		8110-V DB RDA		874-770-023	
		REV. C		DATE		REV. B	
		REV. D		D.V.			
		REV. E		APP. XASR			

Figure 7 - Assembly of RCS-J WHISPAIR Horizontal Style Blowers



RCS-J WHISP AIR BLOWER

FRAME SIZE	A	B	C	D	E	F	G	H	J	K	M	N	O	P	U	V	KEYWAY	W	W'	AA	AB	AD	AE	OIL CAPACITY		APPROX. WEIGHT
																								G.E.	D.E.	
817JW	22.00	24.25	38.63	13.00	8.75	10.75	1.00	1.00	4.00	3.25	14.50	5.00	25.75	25.00	2.75	4.00	.625 x .313	10" FLG	10" FLG	12.75	4.00	7.19	13.2	256 FL. OZ.	120 FL. OZ.	1620 LBS.
821JW	"	27.88	42.25	"	"	12.56	"	"	"	"	16.31	"	"	"	"	"	"	12" FLG	10" FLG	"	"	"	"	"	"	1800 LBS.
826JW	"	33.13	47.50	"	"	15.19	"	"	"	"	18.94	"	"	"	"	"	"	12" FLG	12" FLG	"	"	"	"	"	"	2075 LBS.
832JW	"	38.50	52.88	"	"	17.88	"	"	"	"	21.63	"	"	"	"	"	"	14" FLG	12" FLG	"	"	"	"	"	"	2325 LBS.

CERTIFIED CORRECT FOR

CUSTOMER ORDER NO. _____

ROOTS ORD. NO. _____

DATE _____

V-BELT DRIVE DATA

BELTS _____

DRIVE SHEAVE _____

DRIVER SHEAVE _____

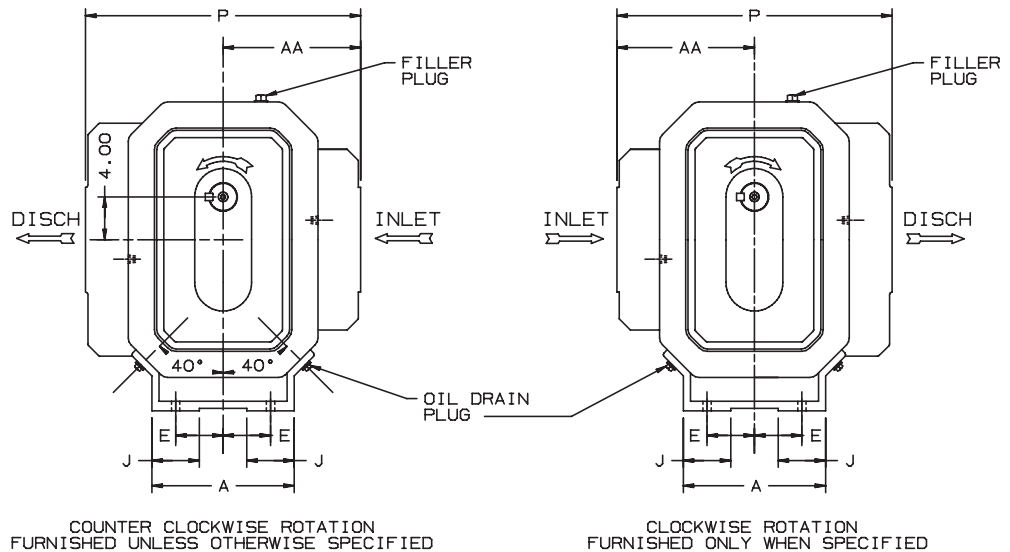
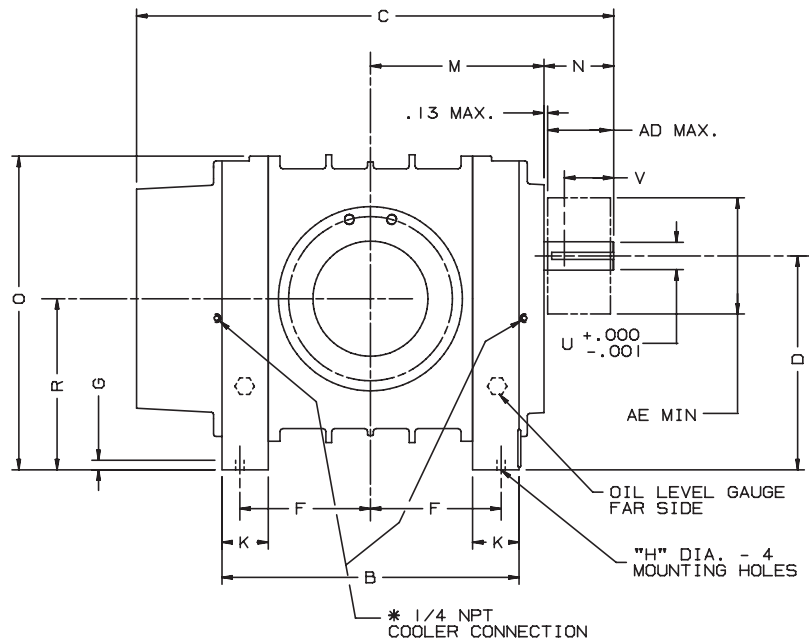
CENTER DISTANCE _____



DRESSER INDUSTRIES, INC.
 ROOTS OPERATIONS
 900 WEST MOUNT STREET, CONNERSVILLE, INDIANA 47331
 TELEPHONE: 317/825-2181

858-791-021

COOLER CON., REV. 100 8021V 10 9 74 - COOLER CONNECTIONS ADDED 8/12/82 REM REV. PER ECN 2820V 4/22/82 NS



FOR V-BELT DRIVEN UNITS
MOTOR TO BE LOCATED ON
INLET SIDE OF BLOWER

INLET AND DISCHARGE FLANGES TO MATE
FLUSH AND SQUARE WITH FLAT FACE
FLANGES ONLY. USE FULL FACE GASKETS

* USED ON OIL COOLED UNITS ONLY.
WATER COOLER INLET TO BE ON DISCHARGE SIDE OF HEADPLATE.
1 GPM WATER-FLOW RATE AT 40 PSIG MAX. WATER PRESSURE.

W - INLET
W' - DISCHARGE
AD - SHEAVE WIDTH
AE - SHEAVE DIAMETER
ALL DIMENSIONS IN INCHES

	10"FLG	12"FLG	14"FLG
OPENING	10.00	12.00	14.00
BOLT CIRCLE	14.25	17.00	18.75
FLANGE O.D.	16.00	19.00	21.00
No TAPPED HOLES	12	12	12
SIZE HOLES	7/8-9	7/8-9	1 - 8
TAP DEPTH	1.31	1.13	1.50

FRAME SIZE	A	B	C	D	E	F	G	H	J	K	M	N	O	P	R	U	V	KEYWAY	W	W'	AA	AD	AE	OIL CAPACITY		APPROX WEIGHT	
																								G.E.	D.E.		
817	13.75	24.25	38.63	21.00	4.63	10.75	1.00	1.00	3.50	3.25	14.50	5.00	30.00	25.50	7.00	2.75	4.00	.625 X .313	10"FLG	10"FLG	12.75	7.19	13.2	144FL.OZ.	80FL.OZ.	1620 LBS	
821	"	27.88	42.25	"	"	12.56	"	"	"	"	16.31	"	"	"	"	"	"	"	"	12"FLG	10"FLG	"	"	"	"	"	1800 LBS
826	"	33.13	47.50	"	"	15.19	"	"	"	"	18.94	"	"	"	"	"	"	"	"	12"FLG	12"FLG	"	"	"	"	"	2075 LBS
832	"	38.50	52.00	"	"	17.88	"	"	"	"	21.63	"	"	"	"	"	"	"	"	14"FLG	12"FLG	"	"	"	"	"	2325 LBS

CERTIFIED CORRECT FOR					V-BELT DRIVE DATA
CUSTOMER ORDER No.					BELTS
ROOTS ORDER No.	B	REV DIM (F) ON 832	RDR	7323V	DRIVE SHEAVE
DATE	A	REVISED PER ECN	MS	2820V	DRIVEN SHEAVE
	REVISIONS		BY	DATE	CENTER DISTANCE

RCS-J
WHISPAIR
BLOWER



Dresser ROOTS, Dresser, Inc.
Connersville, IN USA

DBN	DR	CHKD	APP	58792021	REV. B
-----	----	------	-----	----------	--------

Figure 8 - Vertical and Horizontal Blower Oil Cooler Installation

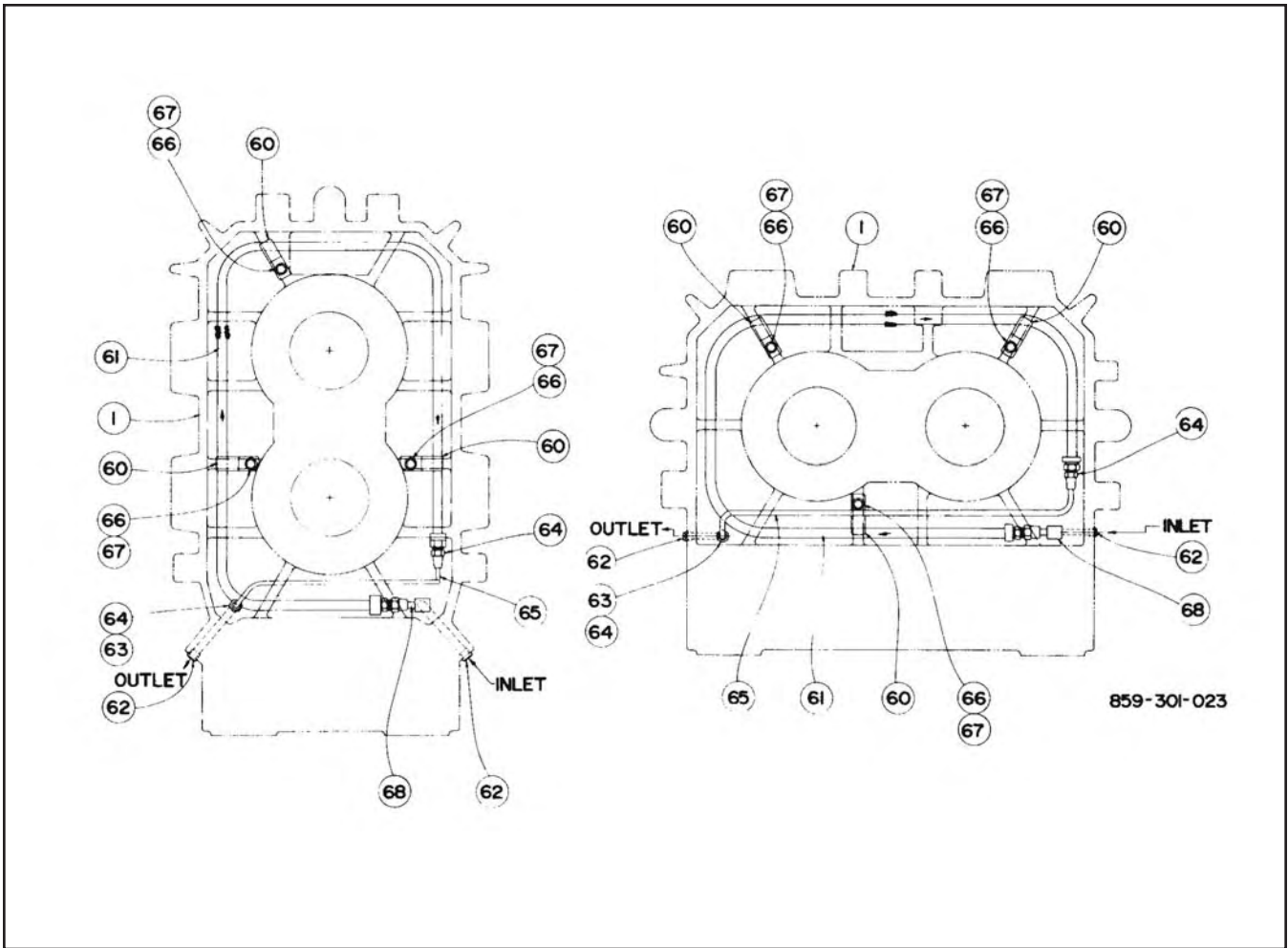


Table 7 - Parts Identification List for Figure 8

Item #	Part Name	Qty.
1	Headplate	2
60	Clamp - Oil Cooler	6
61	Oil Cooler	2
62	Cover Plug - Inlet, Outlet	4
63	Union	2
64	Union Nut	4
65	Copper Tubing	2
66	Lockwasher	6
67	Capscrew	6
68	Adapter	2