

INLET AND DISCHARGE FLANGES TO MATE FLUSH AND SQUARE WITH FLAT FACE FLANGES ONLY. USE FULL FACE GASKETS

FOR V-BELT DRIVEN UNITS MOTOR TO BE LOCATED ON INLET SIDE OF BLOWER

|                 | 12"FLG | 14"FLG |
|-----------------|--------|--------|
| OPENING         | 12.00  | 14.00  |
| BOLT CIRCLE     | 17.00  | 18.75  |
| FLANGE O.D.     | 19.00  | 21.00  |
| No TAPPED HOLES | 12     | 12     |
| SIZE HOLES      | 7/8-9  | 1"-8   |
| TAP DEPTH       | 1.31   | 1.50   |

W - INLET  
W' - DISCHARGE  
AD - SHEAVE WIDTH  
AE - SHEAVE DIAMETER  
AW - JET INLET

### 700/800 DVJ DRY VACUUM WHISPAIR BLOWER

| FRAME SIZE | A     | B     | C     | D     | E    | F     | G   | H    | J    | K    | M     | N    | O     | P     | R     | U     | V    | KEYWAY      | W      | W'     | X    | AA   | AA'   | AD   | AE    | AW     | AX   | APPROX. WEIGHT |
|------------|-------|-------|-------|-------|------|-------|-----|------|------|------|-------|------|-------|-------|-------|-------|------|-------------|--------|--------|------|------|-------|------|-------|--------|------|----------------|
| 721        | 19.00 | 27.00 | 39.38 | 17.00 | 7.25 | 12.38 | .50 | 1.00 | 4.50 | 3.00 | 15.25 | 4.56 | 24.88 | 24.25 | 13.50 | 2.375 | 3.00 | .625 x .313 | 12"FLG | 12"FLG | 7.00 | 9.00 | 15.25 | 4.43 | 11.80 | 12"FLG | 5.50 | 1750           |
| 827        | 19.00 | 33.18 | 46.56 | 18.00 | 7.50 | 15.34 | .50 | 1.00 | 4.50 | 3.25 | 19.11 | 4.82 | 26.38 | 25.25 | 14.00 | 2.750 | 3.69 | .625 x .313 | 12"FLG | 14"FLG | 8.00 | 9.50 | 15.75 | 7.19 | 13.20 | 12"FLG | 5.50 | 2100           |

ALL DIMENSIONS IN INCHES

CONFIDENTIAL AND PROPRIETARY: THIS DRAWING IS CONFIDENTIAL AND IS THE PROPERTY OF HOWDEN ROOTS, LLC. THE DRAWING OR ANY PART THEREOF MUST NOT BE COPIED OR OTHERWISE REPRODUCED OR DIVULGED TO ANY OTHER PARTY, OR USED FOR MANUFACTURE OR OTHER PURPOSE WITHOUT THE EXPRESS PERMISSION OF THE COMPANY.

|                                |               |              |         |           |                                |                      |
|--------------------------------|---------------|--------------|---------|-----------|--------------------------------|----------------------|
| MFG. REF. :                    | SPEC SECTION: | ENGINEER CO: | MAT'L : | PATT. No. | GEOMETRIC TOLERANCE PER: EP938 | ORDER No.            |
| ADDED 827, UPDATED TITLE BLOCK | MPM           | 4/11/16      | 16991V  | MNM       | CERTIFIED                      |                      |
| UPDATED TO ACAD, HOWDEN        | MPM           | 2/16/16      | 16916V  | MNM       | PURCHASE ORDER:                |                      |
| CHANGED LIFTING LUGS           | NEP           | 10/19/95     | 4399V   |           | PROJECT:                       |                      |
| REVISED APPROX WEIGHT          | JHB           | 10/21/93     |         |           | LOCATION:                      |                      |
|                                |               |              |         |           | EQUIPMENT No. :                |                      |
|                                |               |              |         |           | CERTIFIED BY:                  |                      |
|                                |               |              |         |           | DATE (M/D/Y) :                 |                      |
|                                |               |              |         |           | CAD FORMAT                     | CAD FILE / DIRECTORY |
|                                |               |              |         |           | AUTO CAD                       | 73962A21 / XXAD      |
|                                |               |              |         |           | SCALE                          | DATE                 |
|                                |               |              |         |           | NTS                            | M/D/Y                |

**DIMENSIONAL DRAWING**

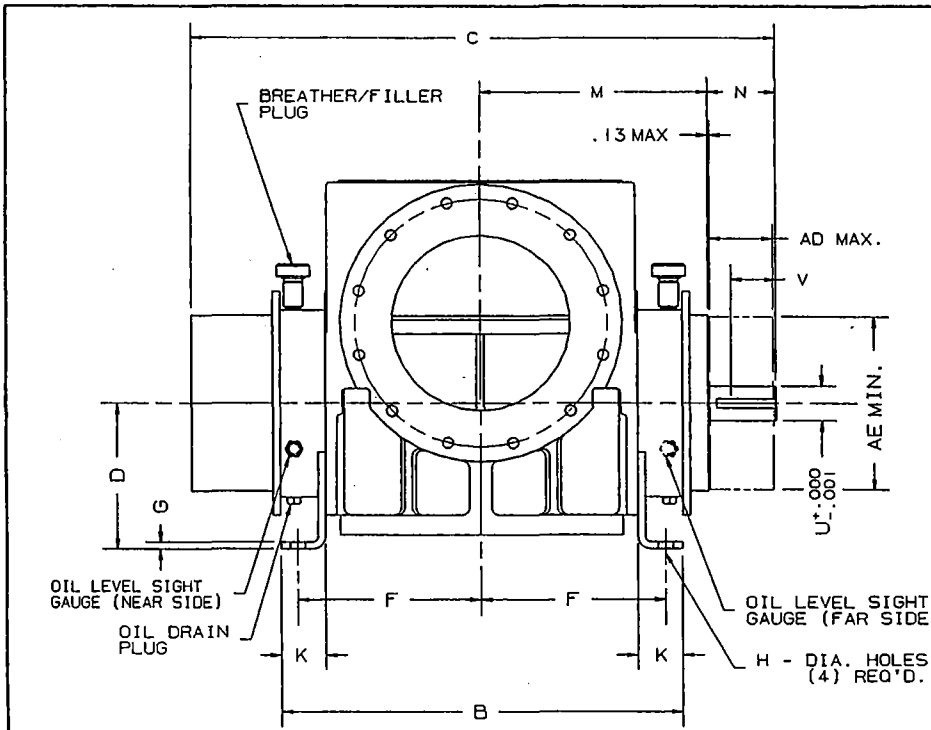
700/800 DVJ WHISPAIR BLOWER

**Howden**

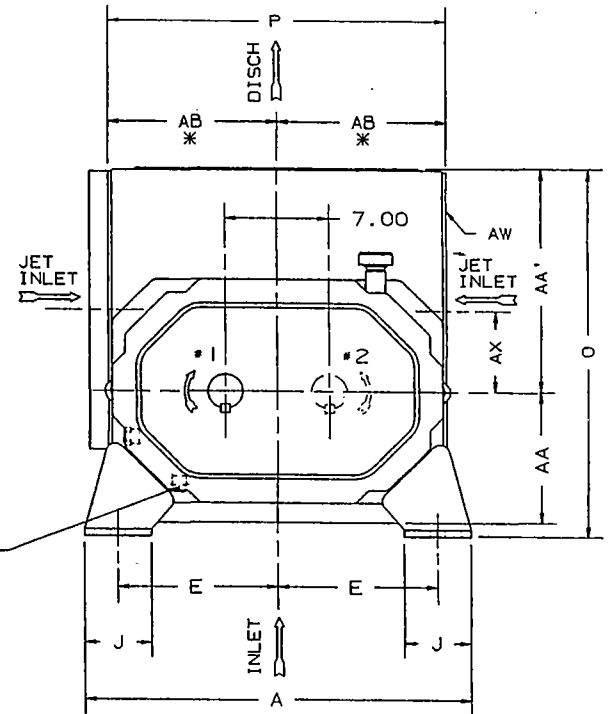
Connersville, IN USA  
P: 765-827-9200 F: 765-827-9266

**73962021**  
SHEET 1 OF X

REV **E**



\* TO FACE OF JET INLET FLANGE  
 JET INLET OPENING LOCATED ON  
 BOTH SIDES OF BLOWER. ONLY  
 ONE SIDE TO BE USED AS JET  
 INLET. OTHER OPENING TO BE  
 CLOSED WITH STEEL COVER PLATE,  
 SUPPLIED BY ROOTS.



POSITION #1 FURNISHED  
 UNLESS SPECIFIED OTHERWISE  
 ALTERNATE POSITION #2  
 ALSO AVAILABLE

INLET AND DISCHARGE FLANGES TO MATE  
 FLUSH AND SQUARE WITH FLAT FACE  
 FLANGES ONLY. USE FULL FACE GASKETS

FOR V-BELT DRIVEN UNITS  
 MOTOR TO BE LOCATED ON  
 DRIVE SHAFT SIDE OF BLOWER

|                 |        |
|-----------------|--------|
|                 | 12"FLG |
| OPENING         | 12.00  |
| BOLT CIRCLE     | 17.00  |
| FLANGE O.D.     | 19.00  |
| No TAPPED HOLES | 12     |
| SIZE HOLES      | 7/8-9  |
| TAP DEPTH       | 1.31   |

- W - INLET & DISCHARGE
- AD - SHEAVE WIDTH
- AE - SHEAVE DIAMETER
- AW - JET INLET

### 700 DVJ-H DRY VACUUM WHISPAIR BLOWER

ALL DIMENSIONS IN INCHES

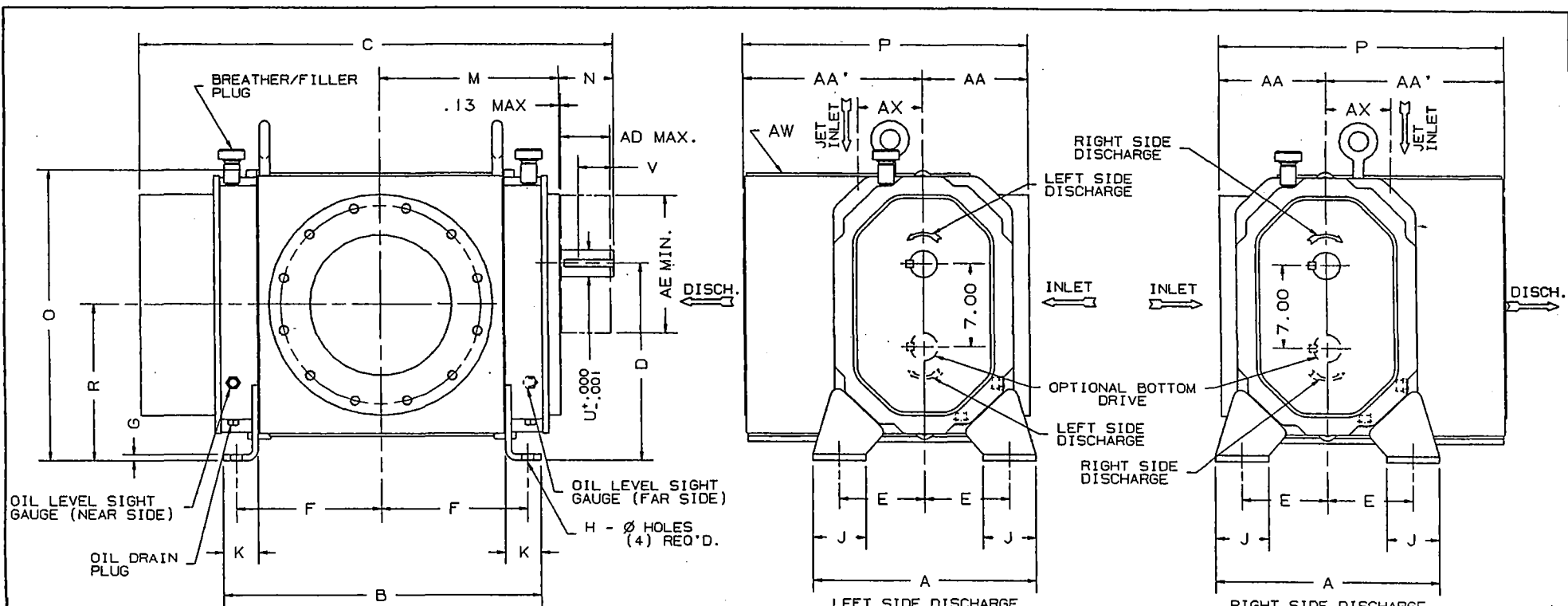
| FRAME SIZE | A     | B     | C     | D     | E     | F     | G   | H    | J    | K    | M     | N    | O     | P     | U     | V    | KEYWAY      | W      | AA   | AA'   | AB    | AD   | AE    | AW     | AX   | APPROX. WEIGHT |
|------------|-------|-------|-------|-------|-------|-------|-----|------|------|------|-------|------|-------|-------|-------|------|-------------|--------|------|-------|-------|------|-------|--------|------|----------------|
| 721        | 26.00 | 27.00 | 39.38 | 10.00 | 10.75 | 12.38 | .50 | 1.00 | 4.50 | 3.00 | 15.25 | 4.56 | 25.25 | 22.75 | 2.375 | 3.00 | .625 x .313 | 12"FLG | 9.00 | 15.25 | 11.38 | 4.43 | 11.80 | 12"FLG | 5.50 | 1750           |

CERTIFIED CORRECT FOR  
 CUSTOMER ORDER No. \_\_\_\_\_  
 ROOTS ORDER No. \_\_\_\_\_  
 DATE \_\_\_\_\_

| V-BELT DRIVE DATA        |             |
|--------------------------|-------------|
| BELTS                    |             |
| DRIVE SHEAVE             |             |
| DRIVEN SHEAVE            |             |
| CENTER DISTANCE          |             |
| A-REVISED APPROX. WEIGHT | JHB 11-9-93 |
| REVISIONS                |             |

**ROOTS DRESSER** DRESSER INDUSTRIES, INC  
 ROOTS DIVISION  
 900 WEST MOUNT STREET  
 CONNERSVILLE, INDIANA 47331

RE DR 2/10/93 CHKD DB APP RDA **873-983-021**



INLET AND DISCHARGE FLANGES TO MATE FLUSH AND SQUARE WITH FLAT FACE FLANGES ONLY. USE FULL FACE GASKETS

FOR V-BELT DRIVEN UNITS MOTOR TO BE LOCATED ON INLET SIDE OF BLOWER

|                 |        |
|-----------------|--------|
|                 | 12"FLG |
| OPENING         | 12.00  |
| BOLT CIRCLE     | 17.00  |
| FLANGE O.D.     | 19.00  |
| No TAPPED HOLES | 12     |
| SIZE HOLES      | 7/8-9  |
| TAP DEPTH       | 1.31   |

W - INLET & DISCHARGE  
 AD - SHEAVE WIDTH  
 AE - SHEAVE DIAMETER  
 AW - JET INLET

### 700 DVJ DRY VACUUM WHISPAIR BLOWER

ALL DIMENSIONS IN INCHES

| FRAME SIZE | A     | B     | C     | D     | E    | F     | G   | H    | J    | K    | M     | N    | O     | P     | R     | U     | V    | KEYWAY      | W      | AA   | AA'   | AD   | AE    | AW     | AX   | APPROX. WEIGHT |
|------------|-------|-------|-------|-------|------|-------|-----|------|------|------|-------|------|-------|-------|-------|-------|------|-------------|--------|------|-------|------|-------|--------|------|----------------|
| 721        | 19.00 | 27.00 | 39.38 | 17.00 | 7.25 | 12.38 | .50 | 1.00 | 4.50 | 3.00 | 15.25 | 4.56 | 24.88 | 24.25 | 13.50 | 2.375 | 3.00 | .625 x .313 | 12"FLG | 9.00 | 15.25 | 4.43 | 11.80 | 12"FLG | 5.50 | 1750           |

CERTIFIED CORRECT FOR  
 CUSTOMER ORDER No. \_\_\_\_\_  
 ROOTS ORDER No. \_\_\_\_\_  
 DATE \_\_\_\_\_

| V-BELT DRIVE DATA |   |
|-------------------|---|
| BELTS             | C-CHGD LIFTING LUGS NEP 10/19/95 1/4 399V |
| DRIVE SHEAVE      | B-REVISED APPROX. WEIGHT JHB 10-21-93     |
| DRIVEN SHEAVE     | A-CORRECTED BREATHER RVE 2/24/93          |
| CENTER DISTANCE   | REVISIONS                                 |

|                      |         |   |             |
|----------------------|---------|---|-------------|
| <b>ROOTS DRESSER</b> |         | DRESSER INDUSTRIES, INC<br>ROOTS DIVISION<br>900 WEST MOUNT STREET<br>CONNERSVILLE, INDIANA 47331 |             |
| JHB<br>DR 10-21-92   | CHKO DB | DLB<br>APP 1/9/93   | 873-962-021 |