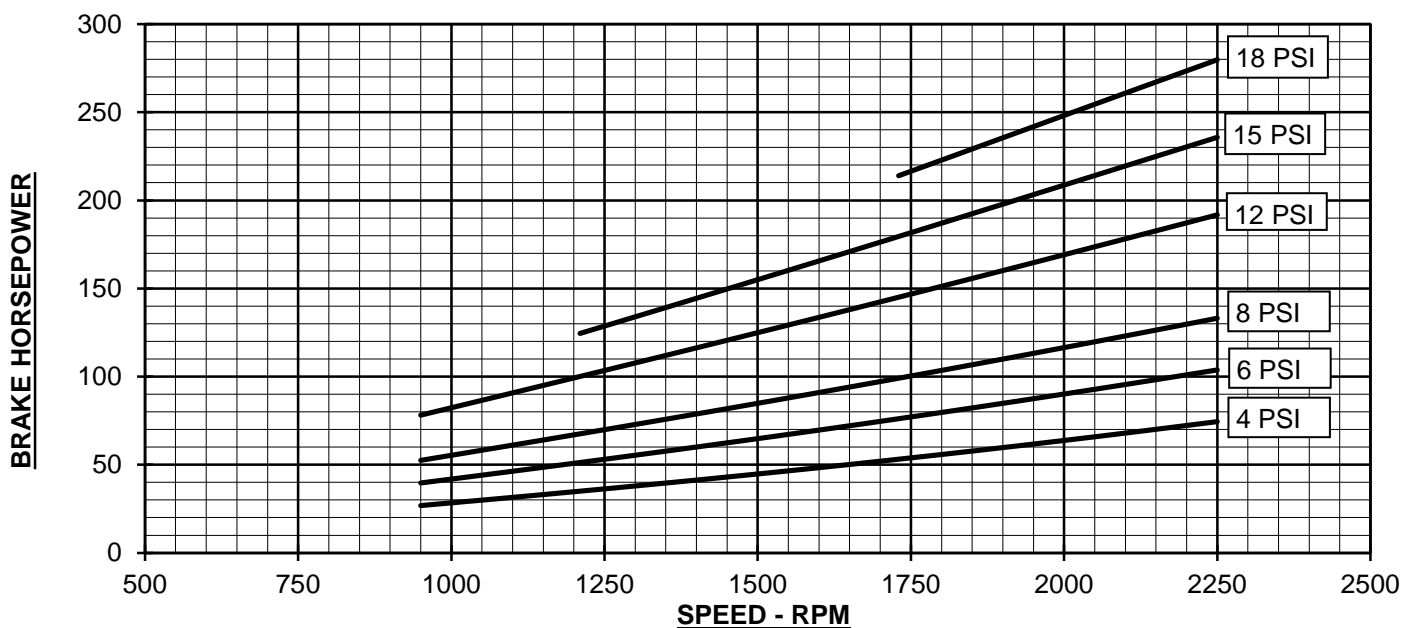
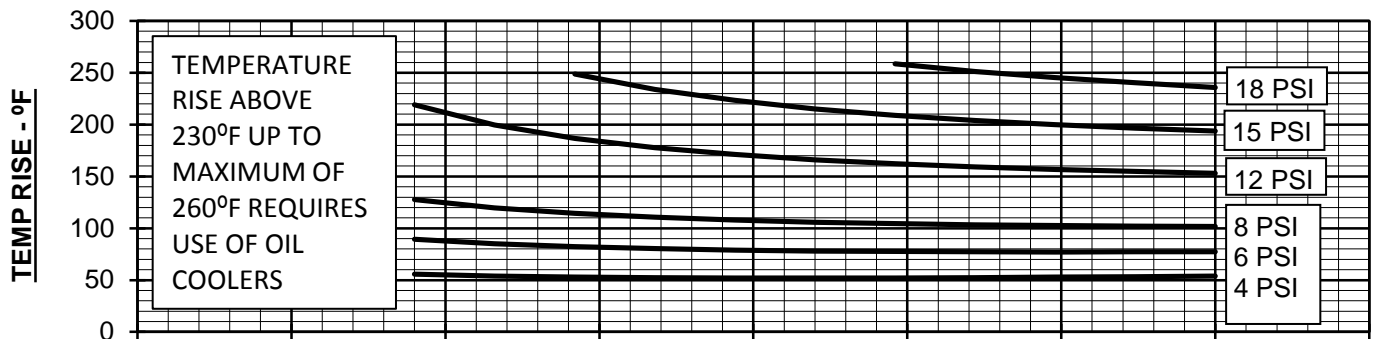
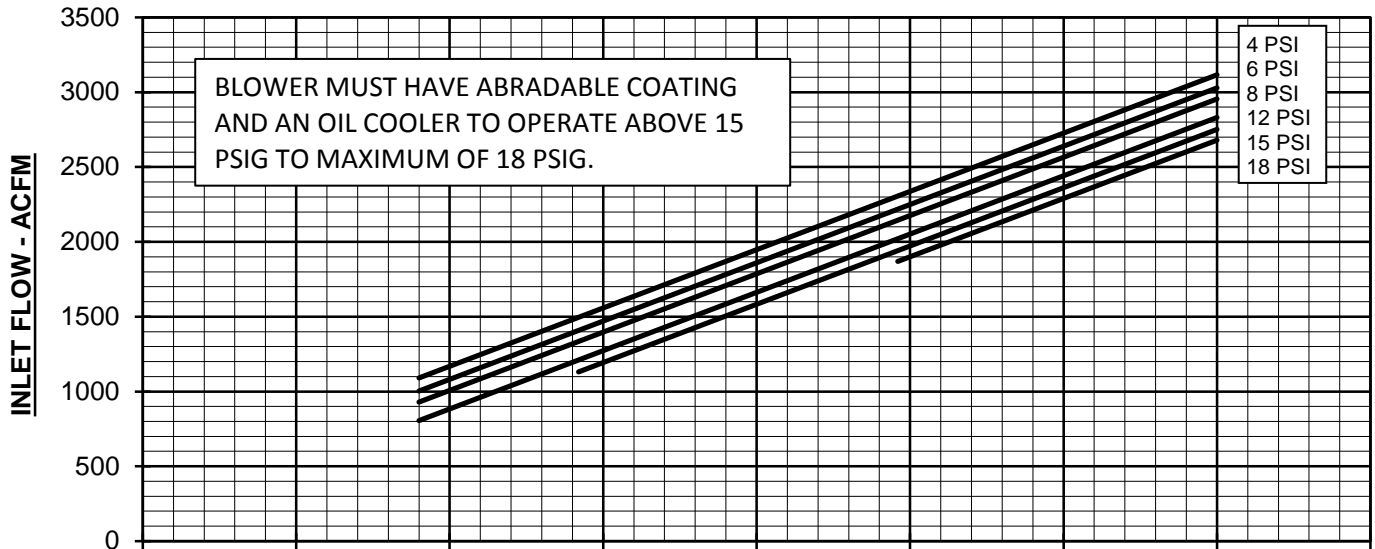




WWW.HOWDEN.COM

**PRESSURE PERFORMANCE**  
**817 RCS/RCS-J BLOWER**  
 MAX. PRESSURE RISE = 18 PSI  
 MAX. SPEED = 2250 RPM

PERFORMANCE BASED ON AIR  
 INLET TEMPERATURE = 68°F  
 INLET PRESSURE = 14.7 PSIA  
 CURVES GENERATED: MAR-1993



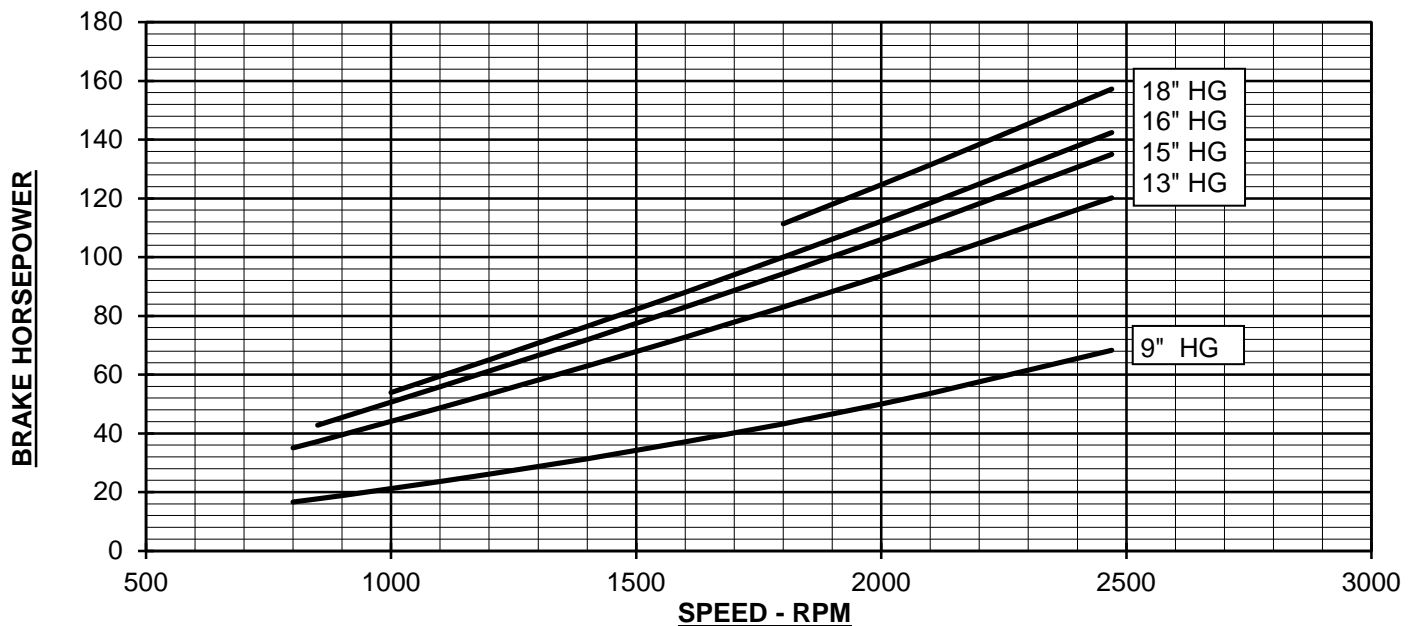
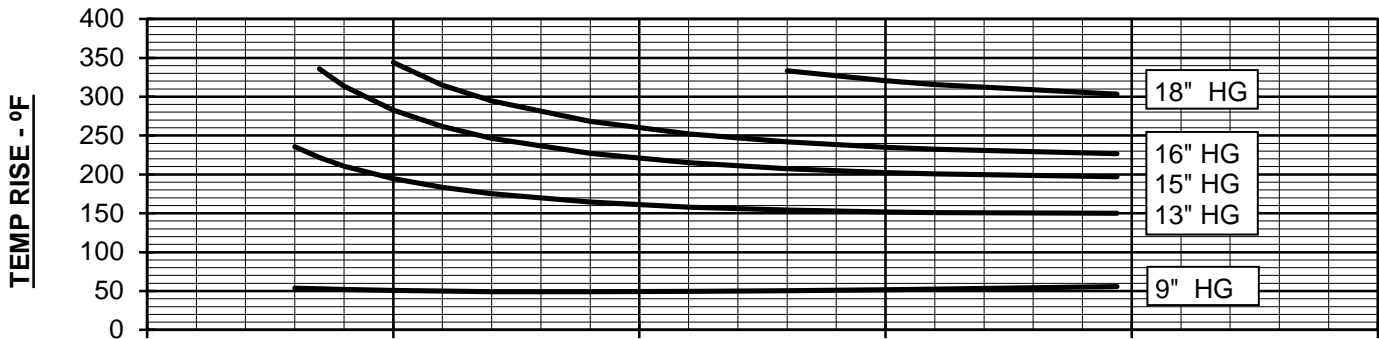
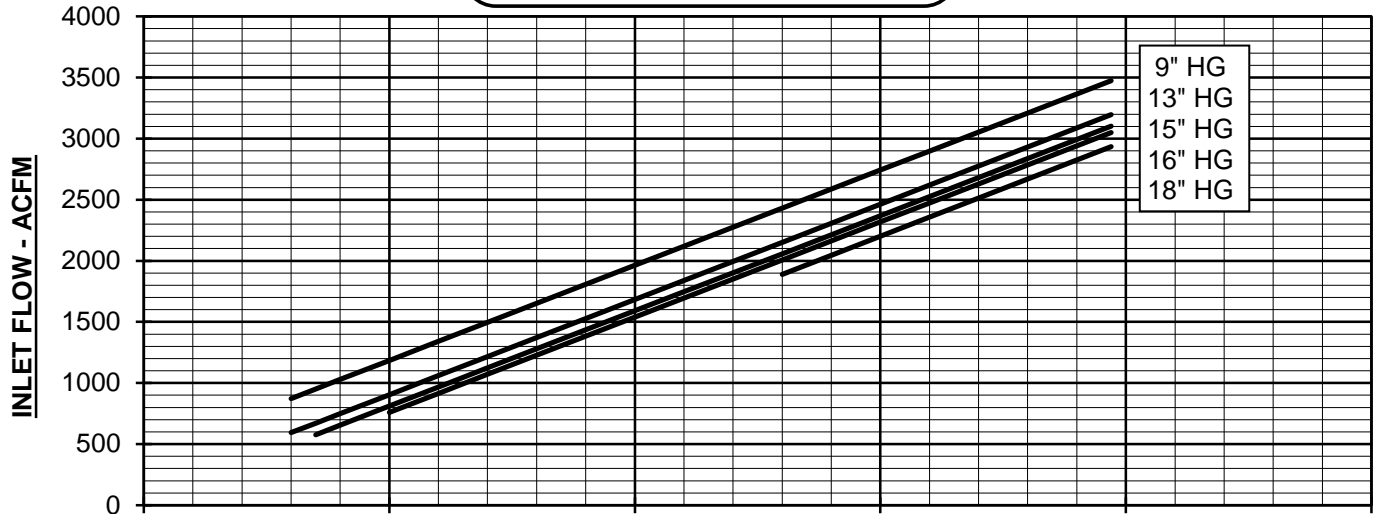
LATEST REVISION	DESCRIPTION
NOV-2015	HOWDEN LOGO/BRANDING



WWW.HOWDEN.COM

**VACUUM PERFORMANCE**  
**817 RCS/RCS-J Blower**  
 MAX. VACUUM = 18" HG  
 MAX. SPEED = 2470 RPM  
 FREE AIR = 3848 CFM

PERFORMANCE BASED ON AIR  
 INLET TEMPERATURE = 68°F  
 DISCHARGE PRESURE = 30" HGA  
 CURVES GENERATED: APR-1989



LATEST REVISION	DESCRIPTION
OCT-2015	HOWDEN LOGO/BRANDING