

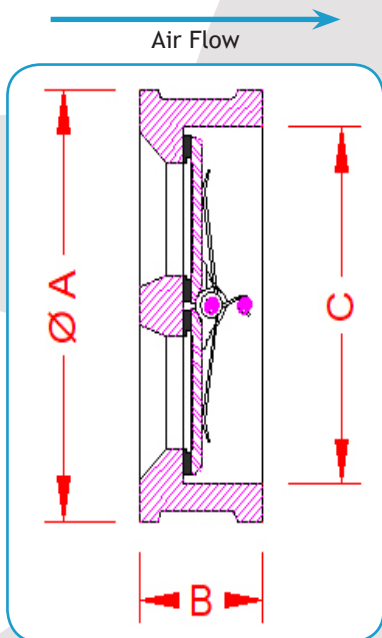
Check Valves for Air and Gas Applications

2" – 12" Dual Plate Wafer Design • Cast Iron Body

ANSI Class 125 with Metal Hinge • 316 SS Internals • 316 SS Spring • EPDM Seat

Torsion spring closes plates to prevent back-flow in air and gas applications.

Install between 150# flanges inline with the horizontal piping system.



Part # / Size	A	B	C	Wt (lbs)
JLCV-2	4.06	1.69	2.56	4
JLCV-2.5	4.80	1.81	3.15	5.5
JLCV-3	5.20	2.52	3.70	8
JLCV-4	6.18	2.52	4.61	13
JLCV-5	7.40	2.76	5.71	16
JLCV-6	8.58	2.99	6.69	20
JLCV-8	10.55	3.50	8.82	37.5
JLCV-10	12.91	4.49	10.43	57.5
JLCV-12	16.02	4.49	12.20	92.5